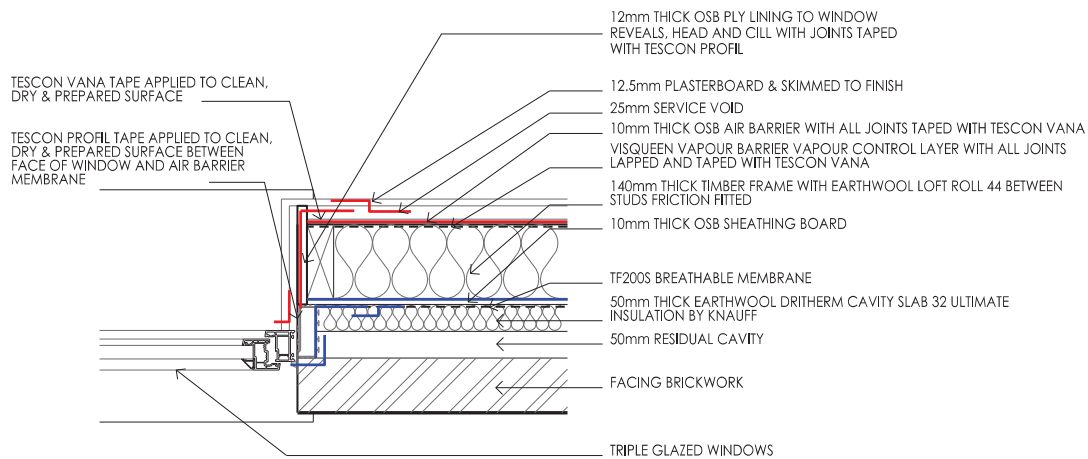
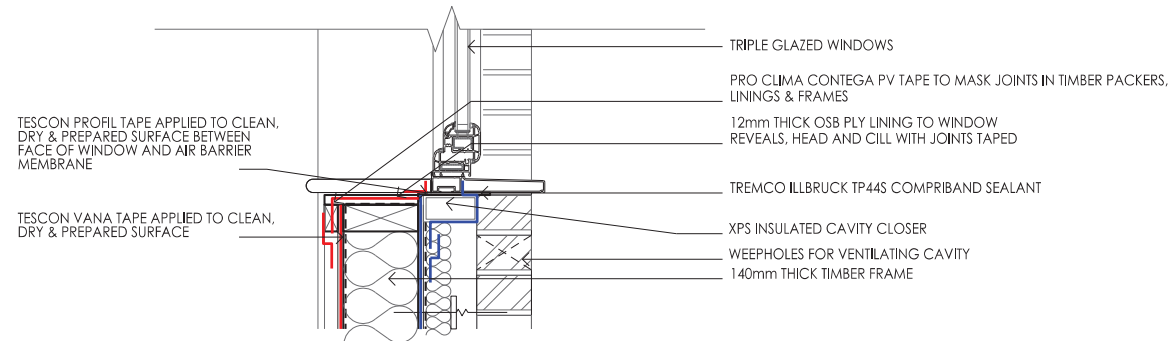
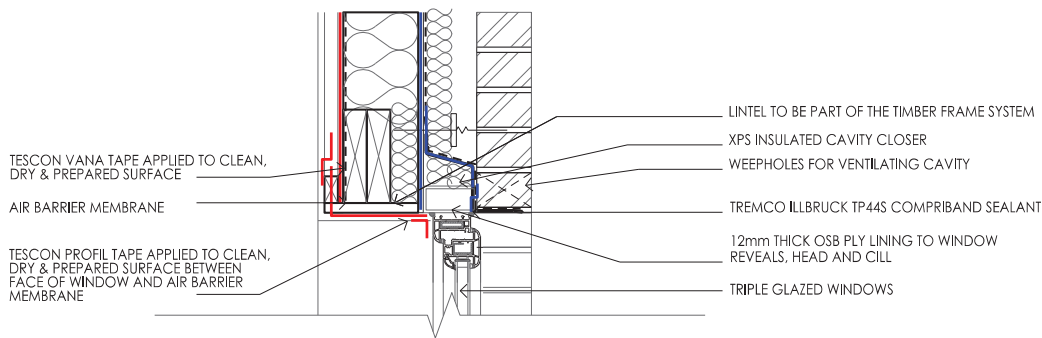
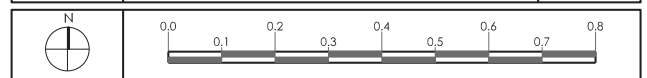


**PHOTOGRAPHIC EVIDENCE
REQUIRED TO DEMONSTRATE
COMPLIANCE WITH AECB SILVER
STANDARD REQUIREMENTS**



— WIND BARRIER
— AIR BARRIER

Revision	Comments	Date
A	Detail updated to reflect agreed changes	2013.12.12
B	Detail updated to reflect comments.	2014.02.14
C	Detail updated to reflect comments.	2014.06.06
-	-	-
-	-	-



		DRAWING STATUS:	CONSTRUCTION ISSUE
		New Housing at Bowker Street, Salford for Contour Homes	
		1396-WD-SS10 Window Cill/Head/Jamb Detail - Silver Standard	
	SCALE: 1:10@A3	DATE: Nov' 13	DRAWN: MP/RW CHECKED: — REV: C

**Silver Standard Window Cill/Head/
Jamb Detail**

1 Price Street, Hamilton Square, Birkbeck, Merseyside, CH41 4JN. Tel: 0151 647 5511 E-mail: birkbeck@ainsleycommonarchitects.co.uk Fax: 0151 666 2195
Copyright in this drawing remains with Ainsley Common. Do not reproduce this drawing without the written permission of Ainsley Common. In the event of any discrepancy refer query to Ainsley Common.